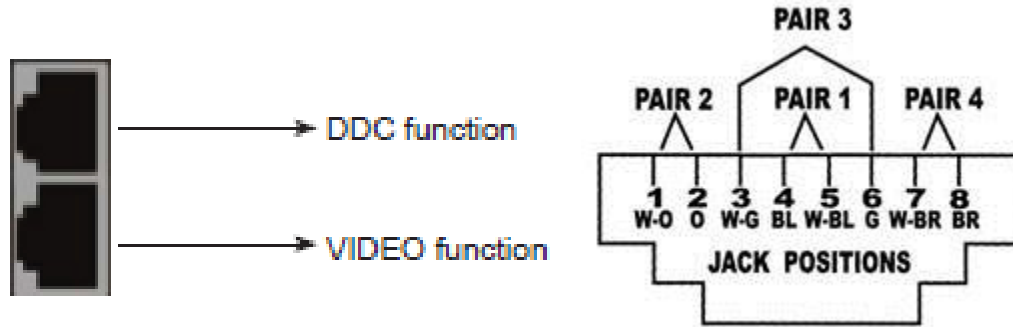


ANI-88C5CU

Pin Outs for RJ-45 Connector



DDC Connection

Conductor Identification	RJ45 Pin Assignment	Color Code for Conductor	Signal
Pair 1	5	White-Blue	GROUND
	4	Blue	VIN
Pair 2	1	White-Orange	SDAN
	2	Orange	SDAP
Pair 3	3	White-Green	SCKN
	6	Green	SCKP
Pair 4	7	White-Brown	HPDO
	8	Brown	NOT USED

VIDEO Connection

Conductor Identification	RJ45 Pin Assignment	Color Code for Conductor
Pair 1	5	White-Blue
	4	Blue
Pair 2	1	White-Orange
	2	Orange
Pair 3	3	White-Green
	6	Green
Pair 4	7	White-Brown
	8	Brown